

LSLC200-12

Valve Regulated Lead Acid Rechargeable Battery

Specifications

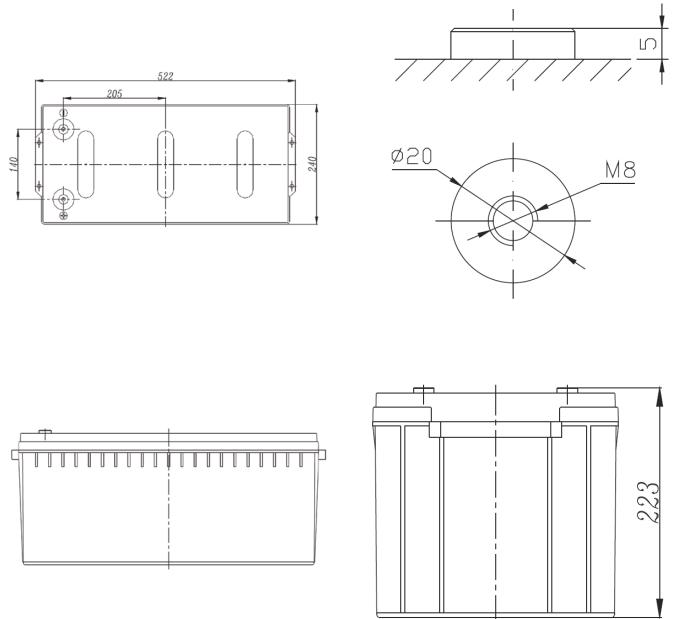
Nominal Voltage	12v
Capacity (20hr)	200.00AH
Capacity (10hr)	200.00AH
Weight	59.00kgs
Container Material	ABS

Operating Temperature Range

Charge	-10°C-60°C
Discharge	-20°C-60°C
Storage	-20°C-60°C

Charging Methods at 25°C

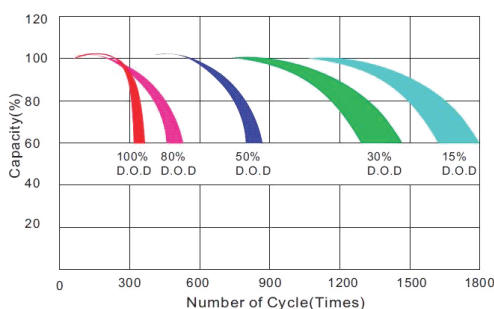
Cycle Use	14.60-14.80V
Co-efficient	-6mV/C
Standby Use	13.60-13.80v
Co-efficient	-4mV/C
Internal Resistance	4.0 mΩ
Self Discharge (per month)	3.0% PER MONTH AT 25°C AVERAGE
Max Discharge	2000A(5s)



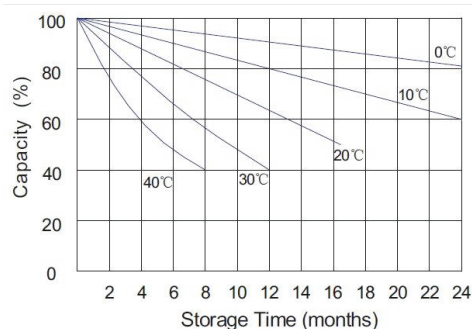
Dimensions

Length	522.0mm
Width	240.0mm
Height	223.0mm
Total Height (inc. Terminal)	223.0mm

Depth of Discharge Characteristics



Storage Characteristics



Safety Information

Installation	Can be installed and operated in any orientation except permanently inverted
Handles	Batteries must not be left permanently suspended by their handles (where fitted)
Vent Valves	Each cell is fitted with a low pressure release valve to allow gases to escape then reseal
Gas Release	VRLA batteries release hydrogen gas which can form explosive mixtures in air - do not keep inside a sealed container
Recycling	VRLA batteries must be recycled at the end of their life in accordance with national laws

Transport Information

- Classified as 'Batteries, wet, non-spillable, electric storage'
- UN2800
- Class 8
- Packaging Group III