

# KB12150TR 12V 150Ah



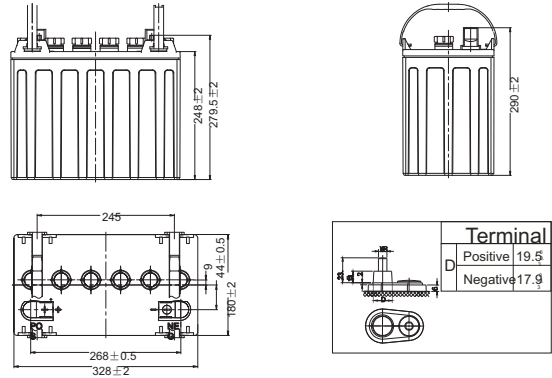
Kaise motive power batteries are mainly used in electric bicycles, electric tricycles, low-speed electric cars, golf carts and sightseeing carts. The products are mainly supplied to the mainstream manufacturers in the industry.



## Performance Characteristics

Nominal Voltage	12V		
Dimensions	Length (mm / inch)	328 / 12.92	
	Width (mm / inch)	180 / 7.09	
	Height (mm / inch)	248 / 9.76	
	Total Height (mm / inch)	279.5 / 11.0	
Approx Weight	(Kg / lbs)	35.7 / 78.7	
Design Life	10 years		
Terminal	DT - F2		
Container Material	PP		
Rated Capacity	150Ah / 7.5A	(20hr, 1.75V / cell, 25°C / 77°F)	
	120Ah / 24A	(5hr, 1.75V / cell, 25°C / 77°F)	

## Dimensions and Terminal (Unit: mm (inches))



## Applications

- Electric bicycles
- Electric tricycles
- Electric cars
- Golf Carts
- Sightseeing Carts

## Certifications

ISO 9001:2008 ISO 14001:2008



## Discharge Current vs. Discharge Voltage

Final discharge voltage V/CELL	1.8	1.75	1.7	1.6
Discharge current (A)	$I \leq 0.1CA$	$0.25CA \geq I > 0.1CA$	$0.55CA \geq I > 0.25CA$	$I > 0.55CA$

(Note) The above characteristics data are average values obtained within three charge/discharge cycles not the minimum values.

## Charge Method

### Initial Charge:

- ① 0.1C (A) charging 15h
- ② 0.05C (A) charging 10h

The temperature of the battery should be below 50°C during charging.

### Supplement Charge:

- Charging at a constant voltage of 14.7~15V/cell and a limited current 0.25C (A) until the electrolyte density up to 1.280g/cm<sup>3</sup> (30°C) and the current not change for 3 hours.
- Charge with constant current 0.1C (A) until the 20 Voltage between 15.6~16.8V/cell, and voltage maintains for 3 hours and not change.

Two method optional

## Discharge Characteristics (25°C, 77°F)

