

BATTERIA SIGILLATA AGM DEEP-CYCLE (USO CICLICO)
DEEP-CYCLE AGM MAINTENANCE FREE BATTERY

ZL1201106

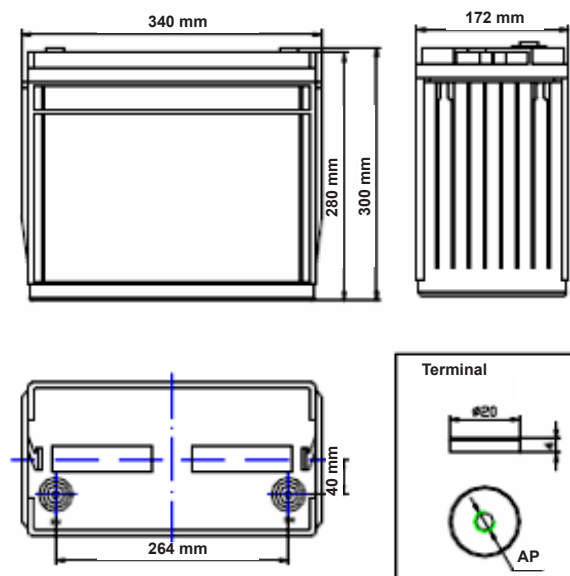


CHARACTERISTIC / CARATTERISTICHE

Volt		12V
Capacity / Capacità	20h	140Ah
	10h	130Ah
	8h	125Ah
	5h	115Ah
	3h	109Ah
	2h	106Ah
Internal Resistance	Full Charged Battery 25°C	≤12mΩ
Capacity affected by Temperature / Effetti delle temperature sulla capacità	40°C	102%
	25°C	100%
	0°C	70%
Self-Discharge 25°C Capacity / Autoscarica a 25°C	after 3 month storage	90%
	after 6 month storage	80%
	after 12 month storage	62%
Charge cycle / Ciclo di carica	IU + h	"In" max. 25Amp; "V1" 2.43V/cell
	IUIa	"In" max. 25Amp; "V1" 7.2Volt; "If" 1Amp.

CHARACTERISTIC / CARATTERISTICHE

Battery dimensions / Dimensioni batteria			
L/L	W/P	H/A	Tot - H/A
340	172	280	300
Box Dimensions / Dimensioni scatola			
L/L	W/P	H/A	
353	186	345	
Weight / Peso	39,5 Kg		
Terminal / Terminali	AP		
Case / Contenitore	ABS		
Pallet Qt	24		



This information is generally descriptive only and is not intended to make or imply any representation, guarantee or warranty with respect to any cells and batteries. Cell and battery designs/specifications are subject to modification without notice. Contact U.B.S. UNION BATTERY SERVICE for the latest information.

Le informazioni contenute in questa scheda tecnica sono solo descrittive e indicative, non sono una garanzia. U.B.S. UNION BATTERY SERVICE si riserva il diritto di aggiornarle/modificarle senza preavviso.



www.unionbatteryservice.it

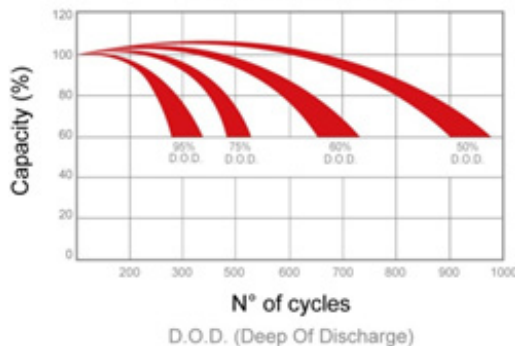
BATTERIA SIGILLATA AGM DEEP-CYCLE (USO CICLICO)
DEEP-CYCLE AGM MAINTENANCE FREE BATTERY

ZL1201106

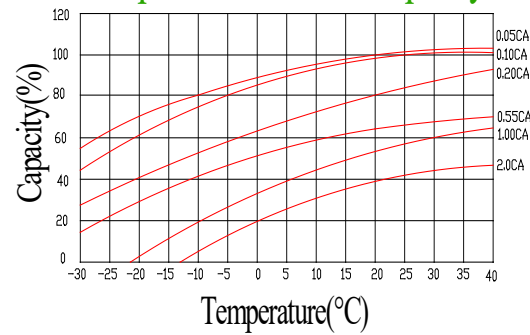
Zenith



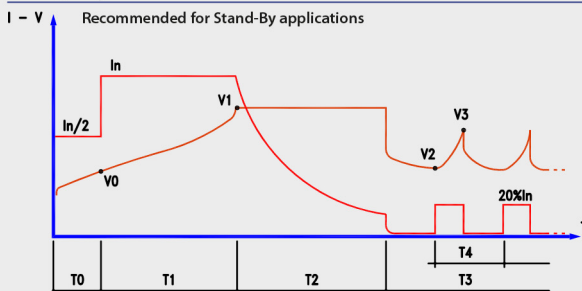
Charge Cycles (25°C)



Temperature effect on capacity



Charge cycle for sealed batteries (GEL/AGM): IU + holding

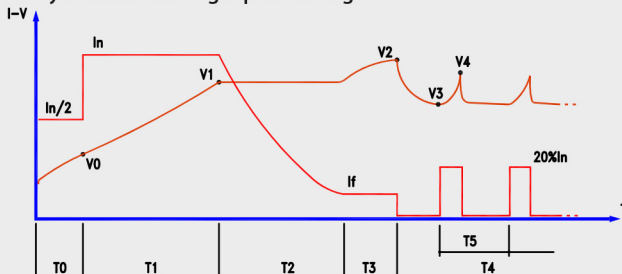


- In = PROGRAMMED CAPACITY/10
- V0 = 1,90 V/CELL
- V1 = PROGRAMMED VALUE
- V2 = 2.10 V/CELL
- V3 = 2.30 V/CELL
- T0 = MAX. 1 HR
- T1 = MAX. 12 HRS
- T2 = T1 (MIN. 2-MAX. 5 HRS)
- T3 = UNLIMITED

“IUIa” charge cycle is always recommended in case of more than 2 batteries in series
Ciclo di carica “IUIa” è sempre necessario qualora ci siano più di 2 batterie collegate in serie.

IUIa charge cycle

Only available for single-phase chargers



- In = PROGRAMMED VALUE (CHARGE I)
- If = PROGRAMMED VALUE (FINAL I)
- V0 = 1,90 V/CELL
- V1 = PROGRAMMED VALUE (THRESHOLD V)
- V2 = PROGRAMMED VALUE (LOCK V)
- V3 = 2.10 V/CELL
- V4 = 2.30 V/CELL
- T0 = MAX. 1 HR
- T1 = MAX. 12 HRS
- T2 = MAX. T1+6 HRS OR I = IF
- T3 = MAX. 4 HRS
- T4 = UNLIMITED
- T5 = MAX. 6 HRS