

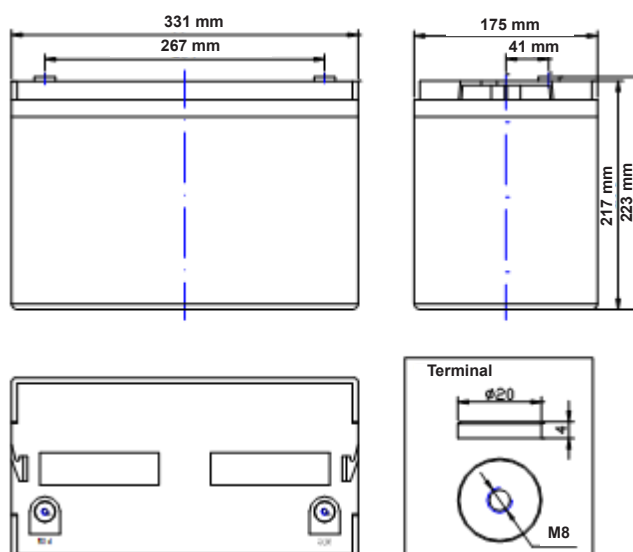
BATTERIA SIGILLATA AGM DEEP-CYCLE (USO CICLICO)
DEEP-CYCLE AGM MAINTENANCE FREE BATTERY

ZL120190



CHARACTERISTIC / CARATTERISTICHE	
Volt	12V
Capacity / Capacità	20h 130Ah
	10h 122Ah
	8h 118Ah
	5h 105Ah
	3h 100Ah
	2h 97Ah
Internal Resistance	Full Charged Battery 25°C ≤5.0mΩ
Capacity affected by Temperature / Effetti delle temperature sulla capacità	40°C 102%
	25°C 100%
	0°C 70%
Self-Discharge 25°C Capacity / Autoscarica a 25°C	after 3 month storage 90%
	after 6 month storage 80%
	after 12 month storage 62%
Charge cycle / Ciclo di carica	IU + h "In" max. 20Amp; "V1" 2.43V/cell
	IUIa "In" max. 20Amp; "V1" 14.4Volt; "If" 1Amp.

CHARACTERISTIC / CARATTERISTICHE			
Battery dimensions / Dimensioni batteria			
L/L	W/P	H/A	Tot - H/A
331	175	217	223
Box Dimensions / Dimensioni scatola			
L/L	W/P	H/A	
346	188	289	
USA Group	31		
Weight / Peso	33 Kg		
Terminal / Terminali	M8		
Case / Contenitore	ABS		
Pallet Qt	36		



This information is generally descriptive only and is not intended to make or imply any representation, guarantee or warranty with respect to any cells and batteries. Cell and battery designs/specifications are subject to modification without notice. Contact U.B.S. UNION BATTERY SERVICE for the latest information.

Le informazioni contenute in questa scheda tecnica sono solo descrittive e indicative, non sono una garanzia. U.B.S. UNION BATTERY SERVICE si riserva il diritto di aggiornarle/modificarle senza preavviso.



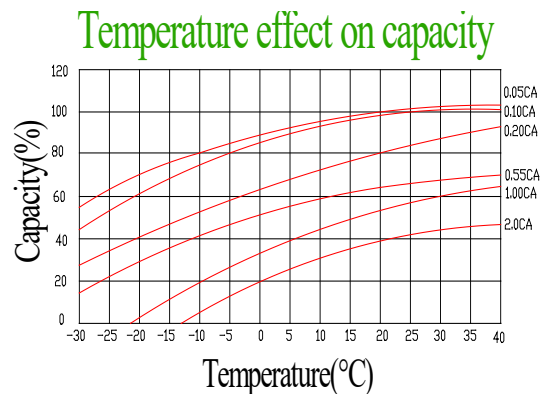
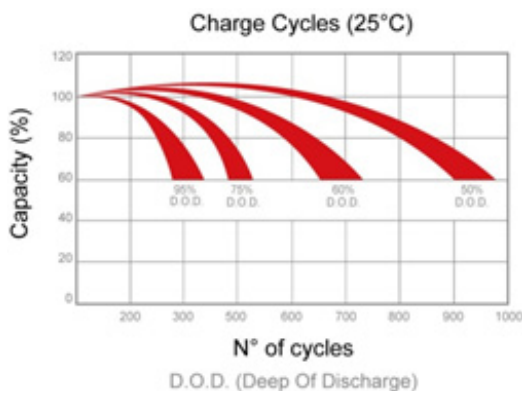
www.unionbatteryservice.it

BATTERIA SIGILLATA AGM DEEP-CYCLE (USO CICLICO)
DEEP-CYCLE AGM MAINTENANCE FREE BATTERY

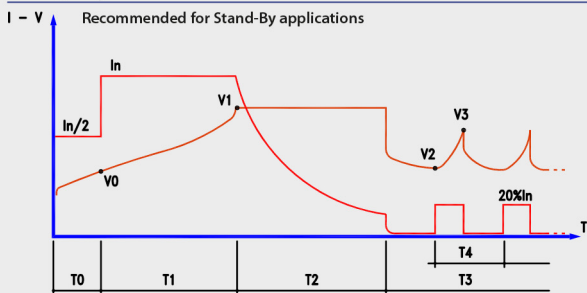
ZL120190



Zenith



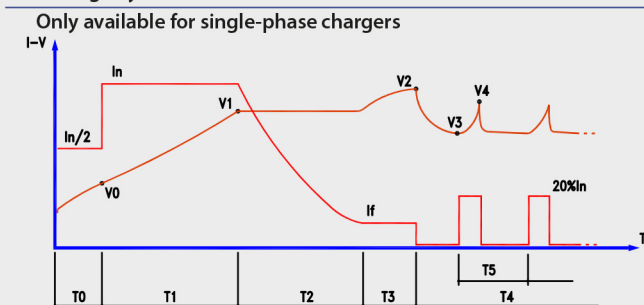
Charge cycle for sealed batteries (GEL/AGM): IU + holding



- In = PROGRAMMED CAPACITY/10
- V0 = 1,90 V/CELL
- V1 = PROGRAMMED VALUE
- V2 = 2,10 V/CELL
- V3 = 2,30 V/CELL
- T0 = MAX. 1 HR
- T1 = MAX. 12 HRS
- T2 = T1 (MIN. 2-MAX. 5 HRS)
- T3 = UNLIMITED

“IU1a” charge cycle is always recommended in case of more than 2 batteries in series
Ciclo di carica “IU1a” è sempre necessario qualora ci siano più di 2 batterie collegate in serie.

IU1a charge cycle



- In = PROGRAMMED VALUE (CHARGE I)
- If = PROGRAMMED VALUE (FINAL I)
- V0 = 1,90 V/CELL
- V1 = PROGRAMMED VALUE (THRESHOLD V)
- V2 = PROGRAMMED VALUE (LOCK V)
- V3 = 2,10 V/CELL
- V4 = 2,30 V/CELL
- T0 = MAX. 1 HR
- T1 = MAX. 12 HRS
- T2 = MAX. T1+6 HRS OR I = IF
- T3 = MAX. 4 HRS
- T4 = UNLIMITED
- T5 = MAX. 6 HRS