

BATTERIA SIGILLATA AGM DEEP-CYCLE (USO CICLICO)
DEEP-CYCLE AGM MAINTENANCE FREE BATTERY

ZL120185

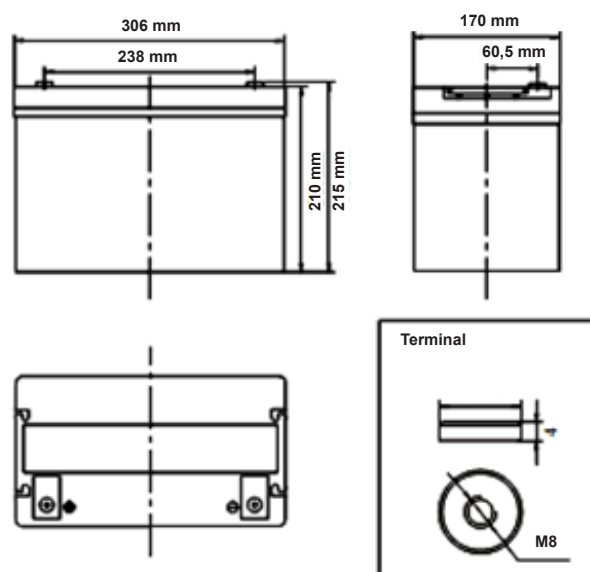


CHARACTERISTIC / CARATTERISTICHE

Volt		12V
Capacity / Capacità	20h	110Ah
	10h	102Ah
	8h	97Ah
	5h	90Ah
	3h	82Ah
	2h	78Ah
Internal Resistance	Full Charged Battery 25°C	≤5.3mΩ
Capacity affected by Temperature / Effetti delle temperature sulla capacità	40°C	102%
	25°C	100%
	0°C	70%
Self-Discharge 25°C Capacity / Autoscarica a 25°C	after 3 month storage	90%
	after 6 month storage	80%
	after 12 month storage	62%
Charge cycle / Ciclo di carica	IU + h	"In" max. 18Amp; "V1" 2.43V/cell
	IUIa	"In" max. 18Amp; "V1" 14.4Volt; "If" 1Amp.

CHARACTERISTIC / CARATTERISTICHE

Battery dimensions / Dimensioni batteria			
L/L	W/P	H/A	Tot - H/A
306	170	210	215
Box Dimensions / Dimensioni scatola			
L/L	W/P	H/A	
322	184	251	
USA Group	27		
Weight / Peso	30,5 Kg		
Terminal / Terminali	M8		
Case / Contenitore	ABS		
Pallet Qt	36		



This information is generally descriptive only and is not intended to make or imply any representation, guarantee or warranty with respect to any cells and batteries. Cell and battery designs/specifications are subject to modification without notice. Contact U.B.S. UNION BATTERY SERVICE for the latest information.

Le informazioni contenute in questa scheda tecnica sono solo descrittive e indicative, non sono una garanzia. U.B.S. UNION BATTERY SERVICE si riserva il diritto di aggiornarle/modificarle senza preavviso.



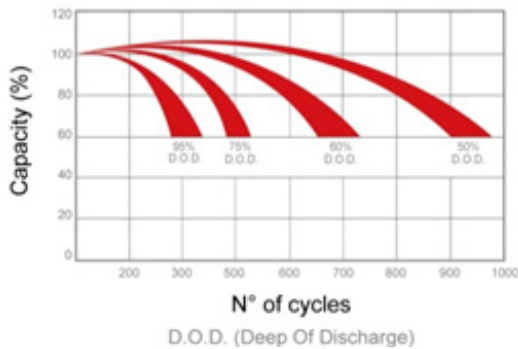
www.unionbatteryservice.it

BATTERIA SIGILLATA AGM DEEP-CYCLE (USO CICLICO)
DEEP-CYCLE AGM MAINTENANCE FREE BATTERY

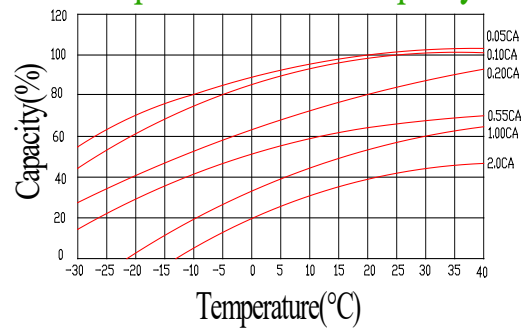
ZL120185



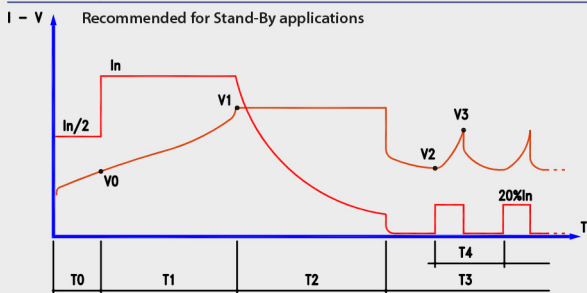
Charge Cycles (25°C)



Temperature effect on capacity



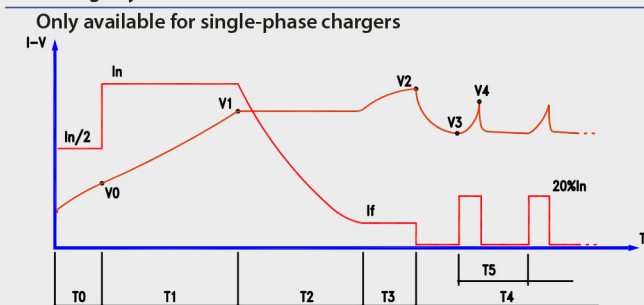
Charge cycle for sealed batteries (GEL/AGM): IU + holding



- In = PROGRAMMED CAPACITY/10
- V0 = 1,90 V/CELL
- V1 = PROGRAMMED VALUE
- V2 = 2.10 V/CELL
- V3 = 2.30 V/CELL
- T0 = MAX. 1 HR
- T1 = MAX. 12 HRS
- T2 = T1 (MIN. 2-MAX. 5 HRS)
- T3 = UNLIMITED

“IU1a” charge cycle is always recommended in case of more than 2 batteries in series
Ciclo di carica “IU1a” è sempre necessario qualora ci siano più di 2 batterie collegate in serie.

IU1a charge cycle



- In = PROGRAMMED VALUE (CHARGE I)
- If = PROGRAMMED VALUE (FINAL I)
- V0 = 1,90 V/CELL
- V1 = PROGRAMMED VALUE (THRESHOLD V)
- V2 = PROGRAMMED VALUE (LOCK V)
- V3 = 2.10 V/CELL
- V4 = 2.30 V/CELL
- T0 = MAX. 1 HR
- T1 = MAX. 12 HRS
- T2 = MAX. T1+6 HRS OR I = IF
- T3 = MAX. 4 HRS
- T4 = UNLIMITED
- T5 = MAX. 6 HRS