



SPECIFICATIONS

Model No.		PLFP-14BR
Dimensions	Length	134mm
	Width	65mm
	Height	92mm
Weight		0.95kg

CHARACTERISTICS

Nominal Voltage		12V
Capacity		4Ah
Nominal Power		48Wh
Internal Resistance		<10mΩ
Working Voltage		10V~14.4V
Operating Temperature Range	Charge	0°C ~ +45°C
	Discharge	-20°C ~ +55°C
	Storage	0°C ~ 30°C
Charge Current (A)		2A(0.5C) , Max. 8A(2C)
Charge Retention		30 days > 97%
Discharge	Continuous	160A (40C)
	Maximum	280A(70C) ≤15S
CCA (-18°C storage for 20h)		120A(30C) ≤15S
Cycle Life		2000 cycles

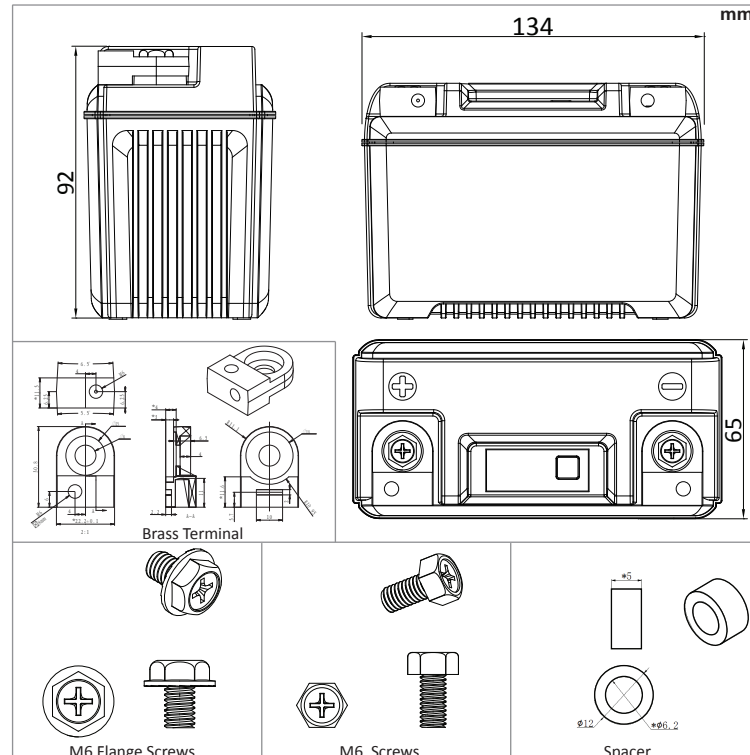


PLFP-14BR

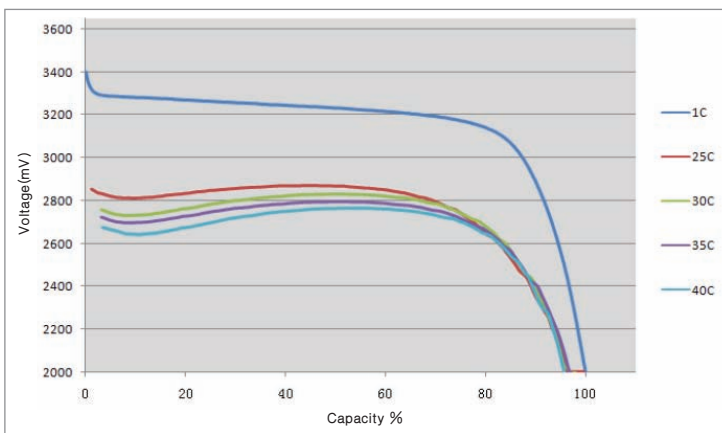
REPLACEMENTS

YTZ10S	YB10A-A2	YB12C-A	YB14A-A2
YT12B-BS	YB12A-A	YB14-A2	12N12A-4A-1
YT14B-BS	YB12A-B	YB14-B2	
YTX14AH-BS	YB12B-B2	YB14A-A1	

DRAWINGS



DISCHARGING GRAPH



CERTIFICATIONS

