



## SPECIFICATIONS

Model No.		PLFP-9R
Dimensions	Length	134mm
	Width	65mm
	Height	92mm
Weight		0.78kg

## CHARACTERISTICS

Nominal Voltage		12V
Capacity		3Ah
Nominal Power		36Wh
Internal Resistance		<10mΩ
Working Voltage		10V~14.4V
Operating Temperature Range	Charge	0°C ~ +45°C
	Discharge	-20°C ~ +55°C
	Storage	0°C ~ 30°C
Charge Current (A)		1.5A(0.5C) , Max. 6A(2C)
Charge Retention		30 days > 97%
Discharge	Continuous	120A (40C)
	Maximum	210A(70C) ≤15S
CCA ( -18°C storage for 20h )		90A(30C) ≤15S
Cycle Life		2000 cycles

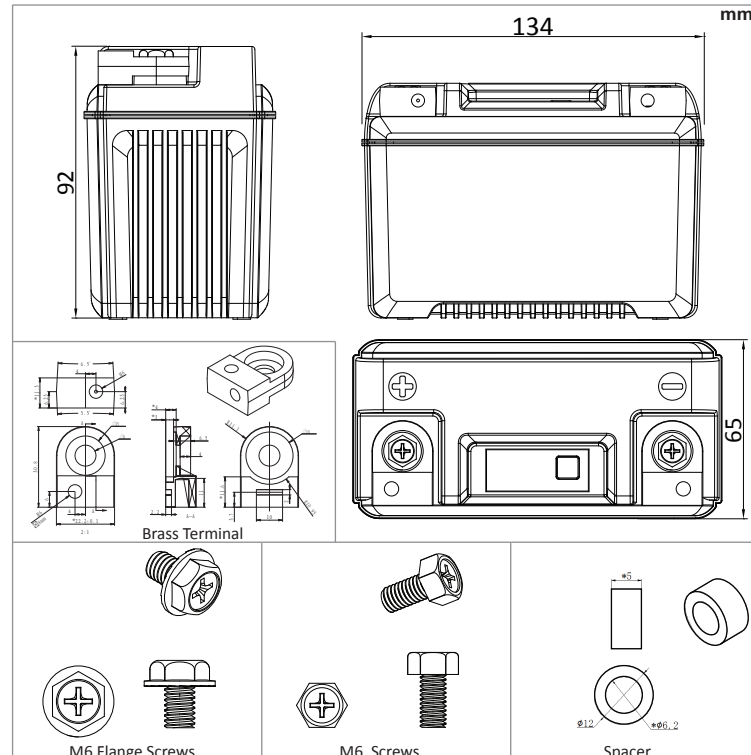


**PLFP-9R**

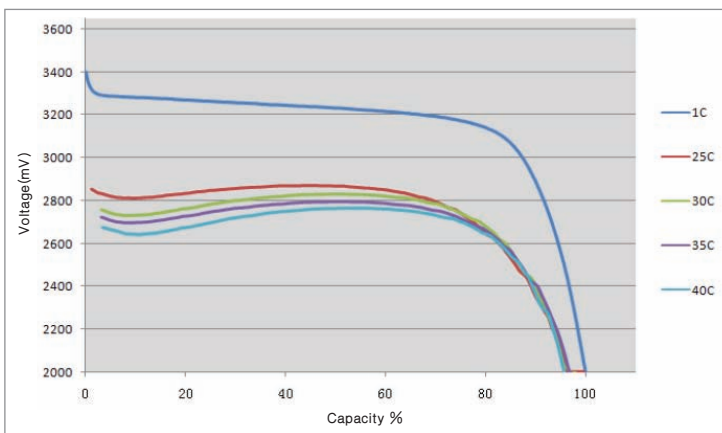
## REPLACEMENTS

YT7B-BS	YTX9-BS	YB9-B
YT9B-BS	YTR9-BS	12N9-4B-1
YTX7A-BS	YB9A-A	

## DRAWINGS



## DISCHARGING GRAPH



## CERTIFICATIONS

